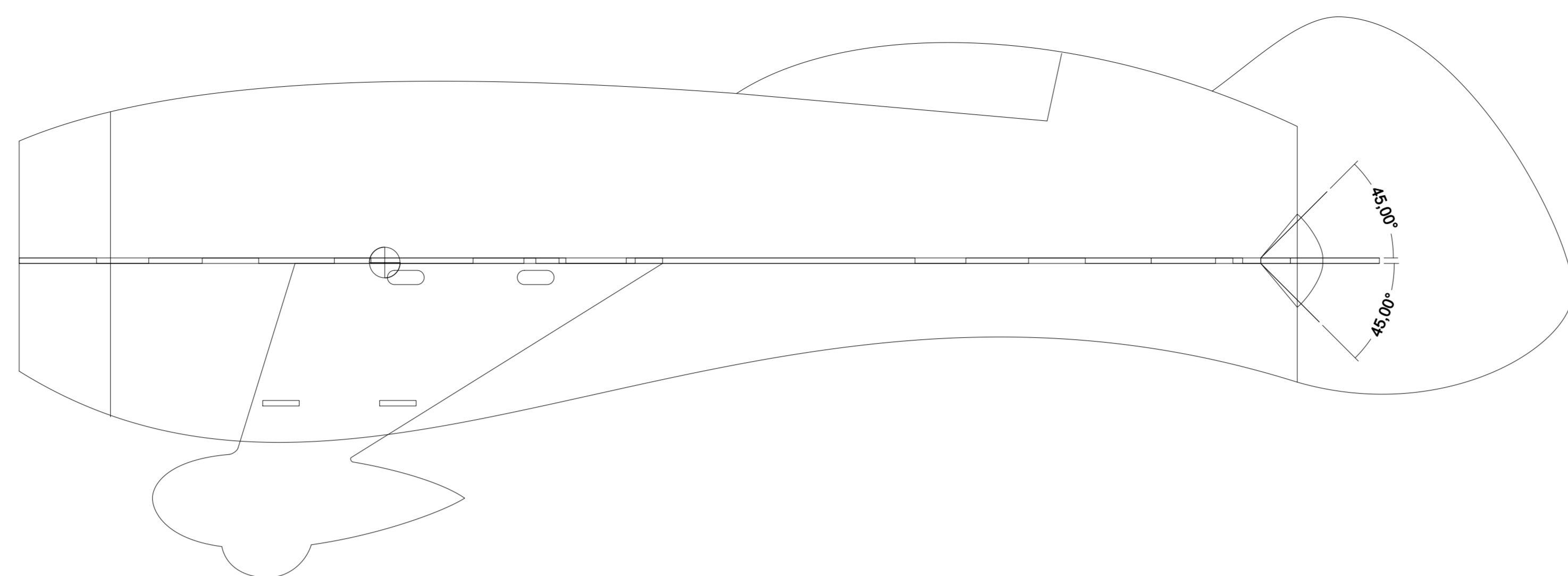
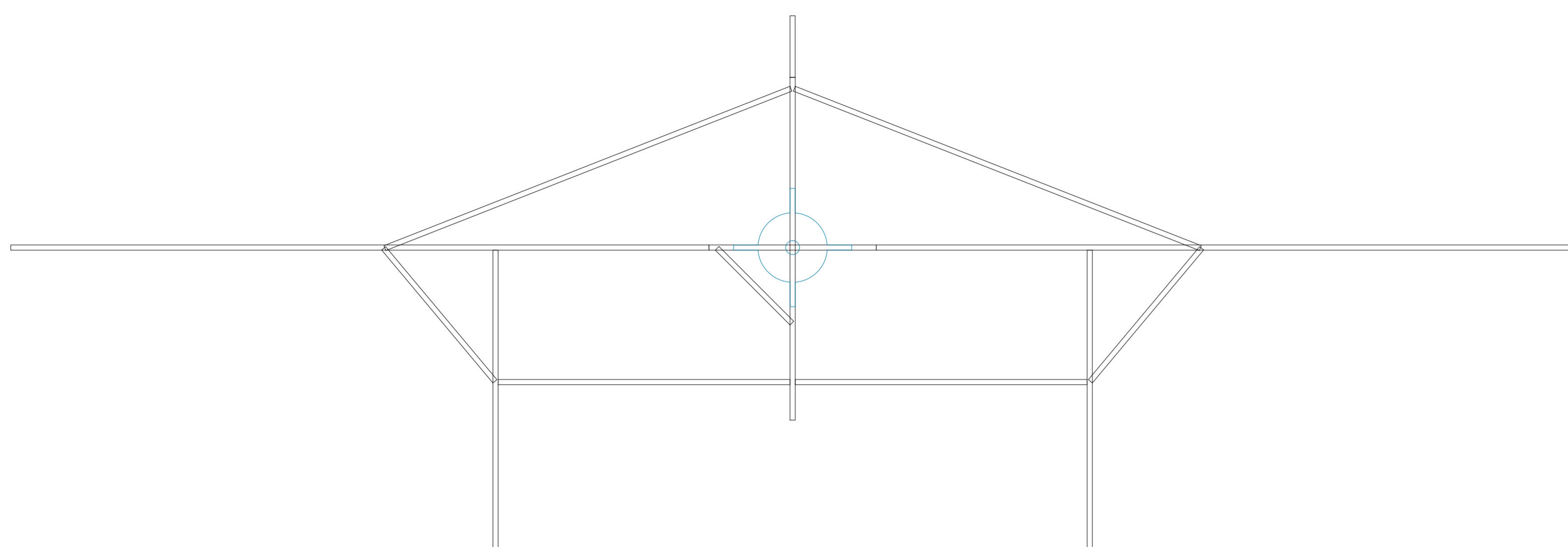


# Gee Bee Indoor Control Line Model

Special thanks for the support received from Igor Burger



**TECHNICAL DATA**  
Wing span: 900 mm  
Weight: 210 gr  
Tip weight: 12 gr  
Motor downthrust 4°  
Lines: 5 mts  
Motor: Pyton or similar (kv=1400, Ri= 150mohm, IO: 0,8A, Weight=32g)  
Battery: 800 mAh for 4 min.  
Prop: GWS SF 10x4,7 at 4300rpm  
ESC: Spin 11A or similar (Governor required)  
Desing by Igor Burger  
Draw by Jose Luis Oterino

